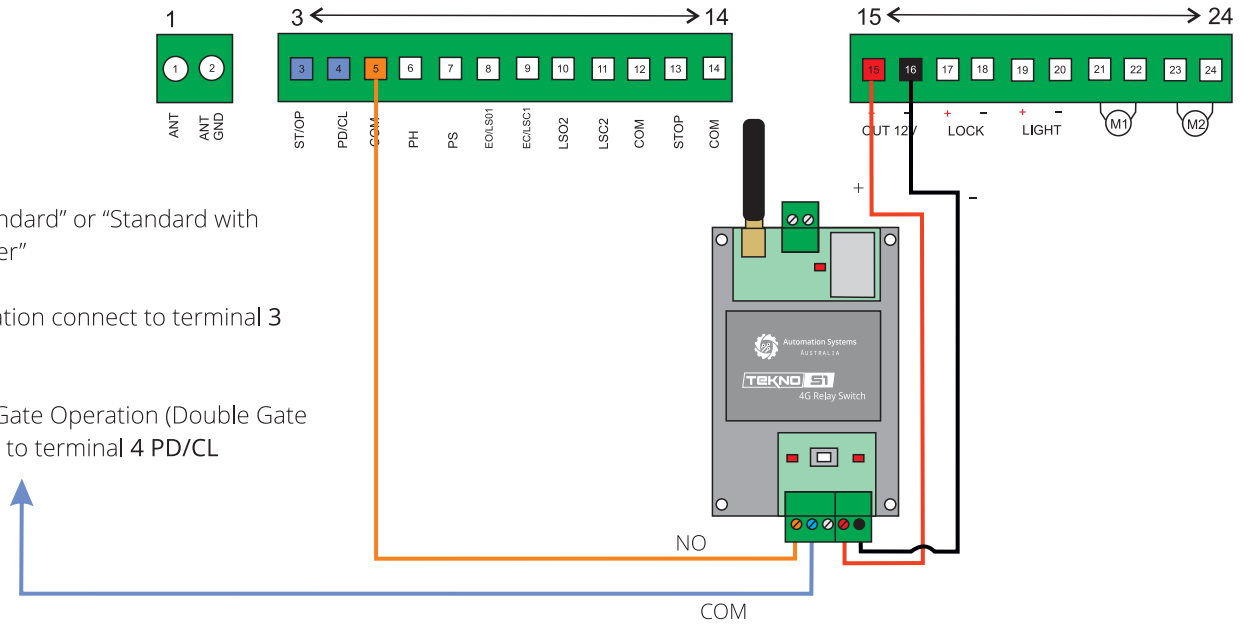


Premier SW24 Swing Gate Controller

Using Logic Mode "Standard" or "Standard with Automatic Closing Timer"

For Double Gate operation connect to terminal 3 ST/OP

For Single/Pedestrian Gate Operation (Double Gate Systems Only) connect to terminal 4 PD/CL

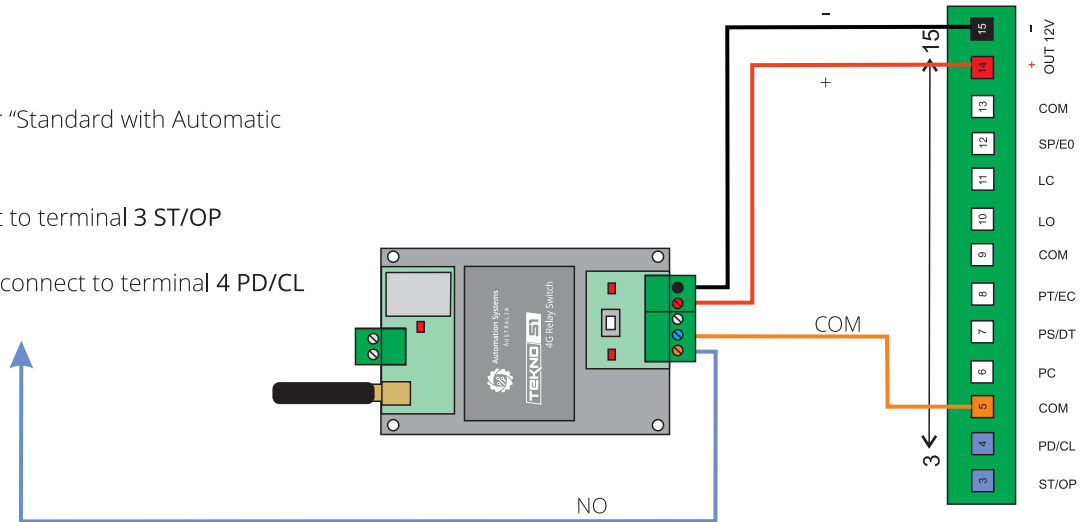


Premier SL24 Sliding Gate Controller

Using Logic Mode "Standard" or "Standard with Automatic Closing Timer"

For Full Gate operation connect to terminal 3 ST/OP

For Pedestrian Gate Operation connect to terminal 4 PD/CL



Premier SL240AC Sliding Gate Controller

For Full Gate operation OPEN and CLOSE connect to terminal START 19

For OPEN Gate Operation ONLY connect to terminal OPEN 21

For CLOSE Gate Operation ONLY connect to terminal CLOSE 20

