



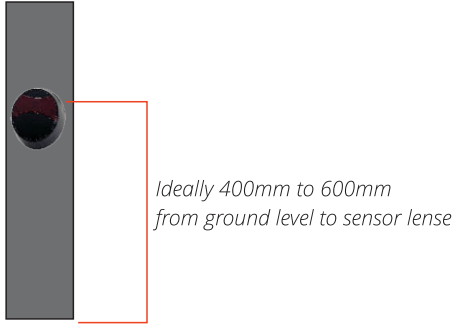
Automation Systems
AUSTRALIA

DUKIE X Series
PROFESSIONAL



Voltage: 12-24V AC/DC
Consumption: RX 30mA + TX 15mA
Relay Output: NO/NC (1A)
Range: 10M Max (-30% Poor Conditions)
IP Rating: 55
Infrared Frequency: 32KHZ
Wave Length: 940nm
Operating Temperature: -10°C to 70°C
Dimensions: 81x65x29mm

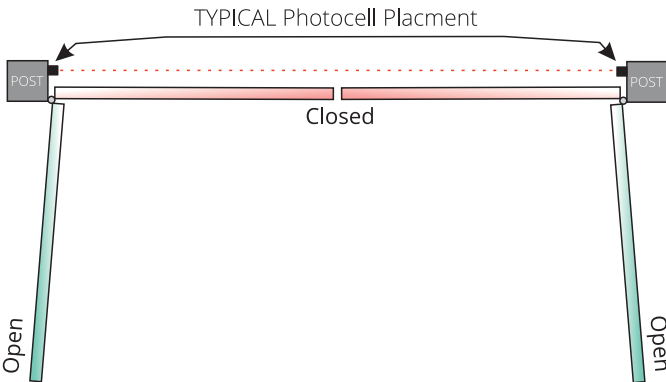
Installation Height



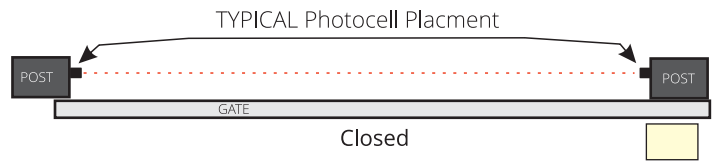
Dimensions



Swing Gate Placement

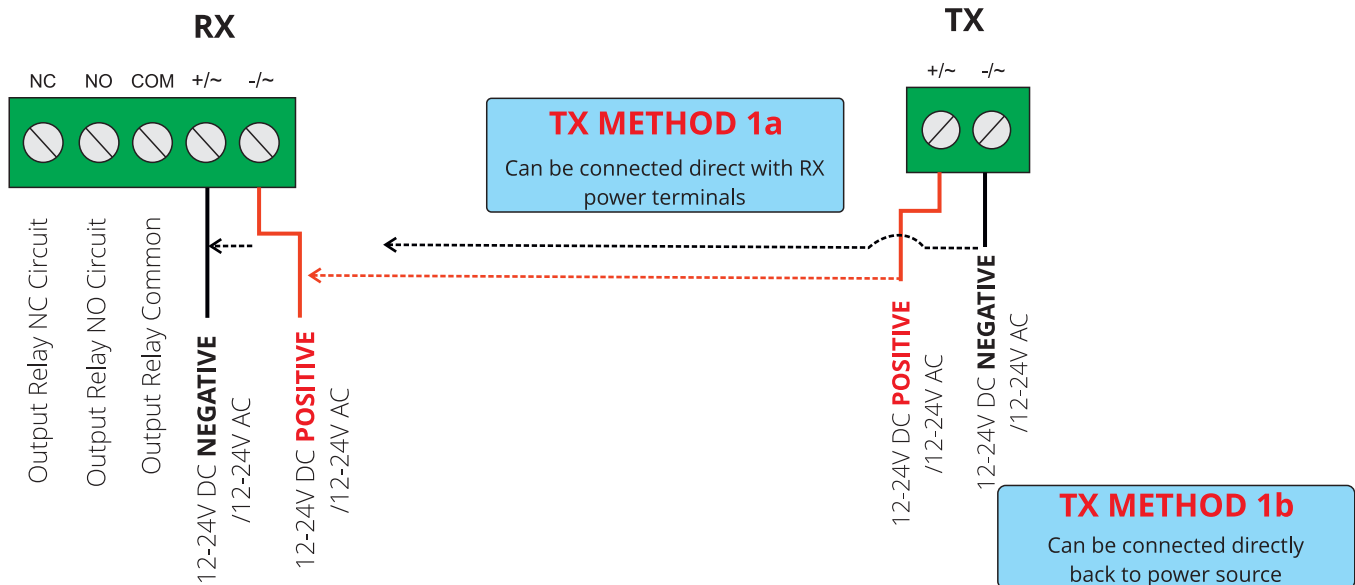


Sliding Gate Placement

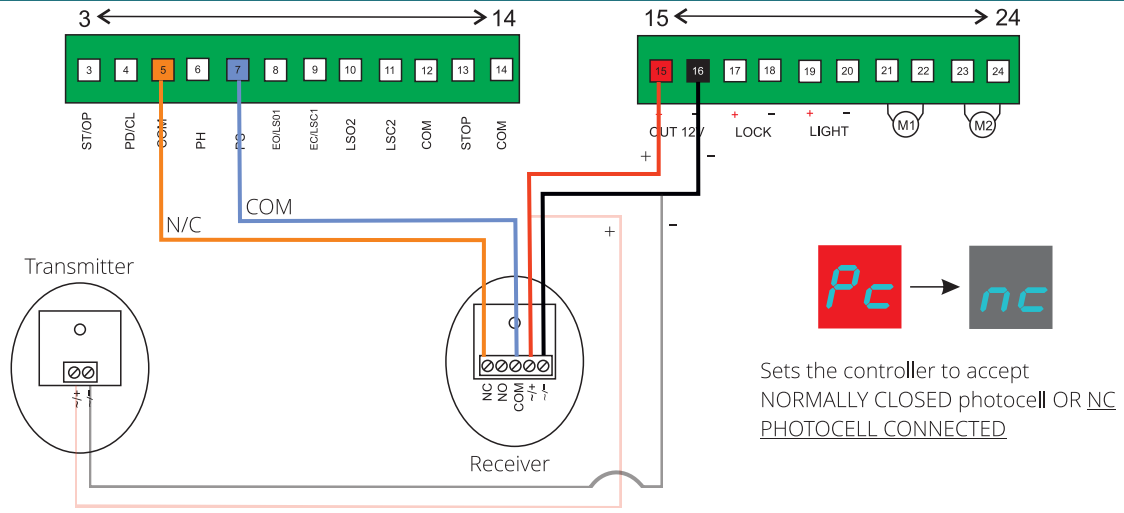


General Diagram

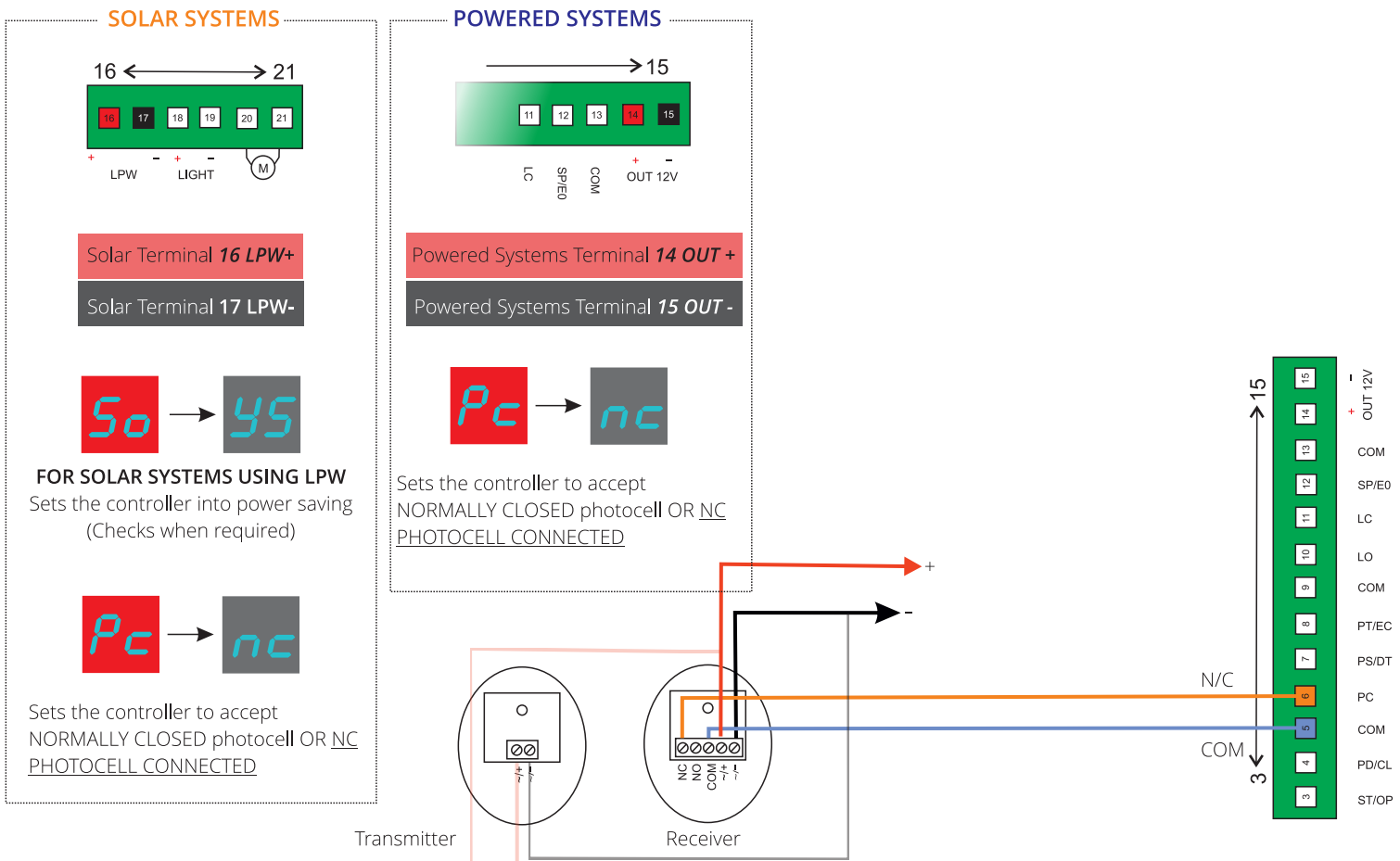
Always refer to the system specific installation manual for the connection points on the system



Premier SW24 Swing Gate Control Board Connection



Titan 2410 Premier SL24 Sliding Gate Control Board Connection



Titan 1000 Premier SL240AC Sliding Gate Control Board Connection

