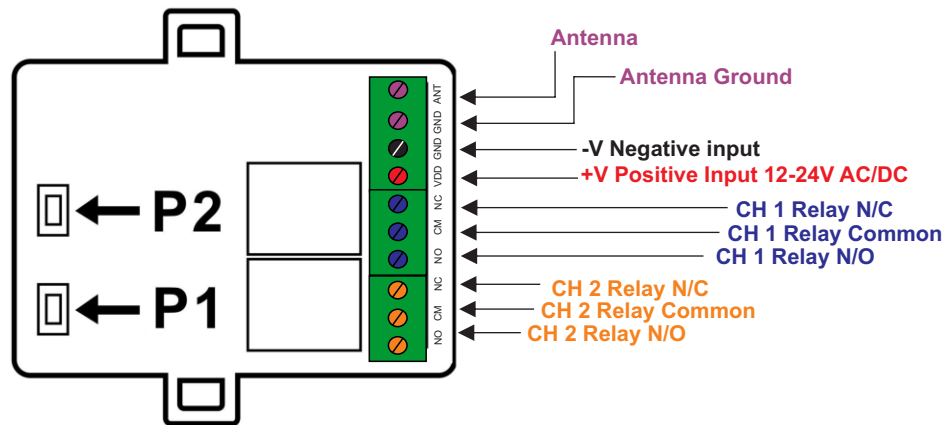
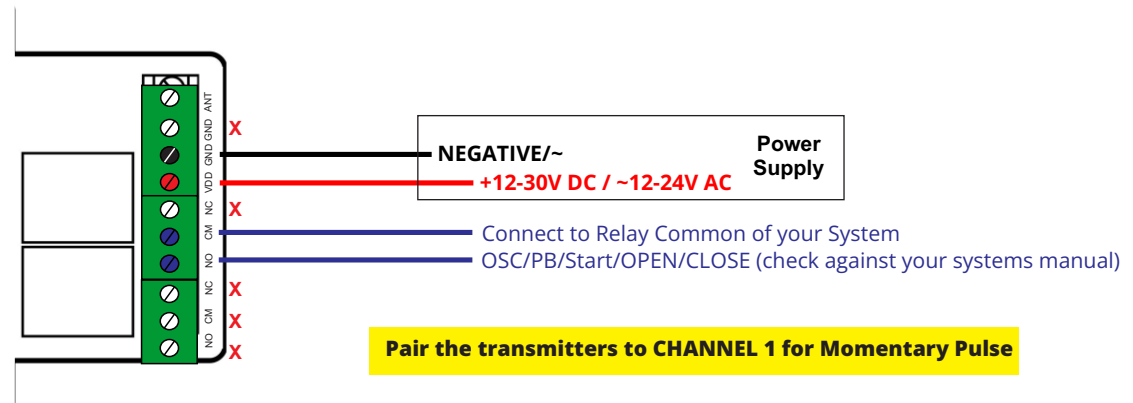


Operating Voltage	12-30V DC/12-24V AC
Operating Current	9mA standby
Relay Switching Current Capacity	3A Momentary/ 500mA Latching
Frequency	433mhz
Compatible Transmitters (tX)	STX4L, STX4K, Dex4

OVERVIEW



Typical Garage/Gate Connection



Pairing and Deleting Remotes

Remote Pairing for a Momentary Pulse

Used for garage doors, automatic gates, alarms etc.

Momentary Pulse for CH 1

1. Press P1 **ONE TIME** and wait for the **single flash** from the LED
2. Now press the button on the transmitter you wish to use for this function.

Momentary Pulse for CH 2

1. Press P1 **TWO TIMES** and wait for the **two flashes** from the LED
2. Now press the button on the transmitter you wish to use for this function.

Remote Pairing for a Latching Circuit

Used for breaking circuits and turning on/off devices.

Latching Circuit for CH 1

1. Press P1 **THREE TIMES** and wait for the **three flashes** from the LED
2. Now press the button on the transmitter you wish to use for this function.

Latching Circuit for CH 2

1. Press P1 **FOUR TIMES** and wait for the **four flashes** from the LED
2. Now press the button on the transmitter you wish to use for this function.

Deleting ONE specific transmitter

1. Press and HOLD P2 for 3 Seconds.
2. Upon releasing P2 the LED will turn on
3. Press the transmitter button you wish to delete
4. If followed correctly the led should flash TWICE for confirmation.

Deleting ALL transmitters (Full Format)

Press and HOLD P2 for 10 Seconds, the LED will turn ON. Release P2 button, all transmitters will be deleted.